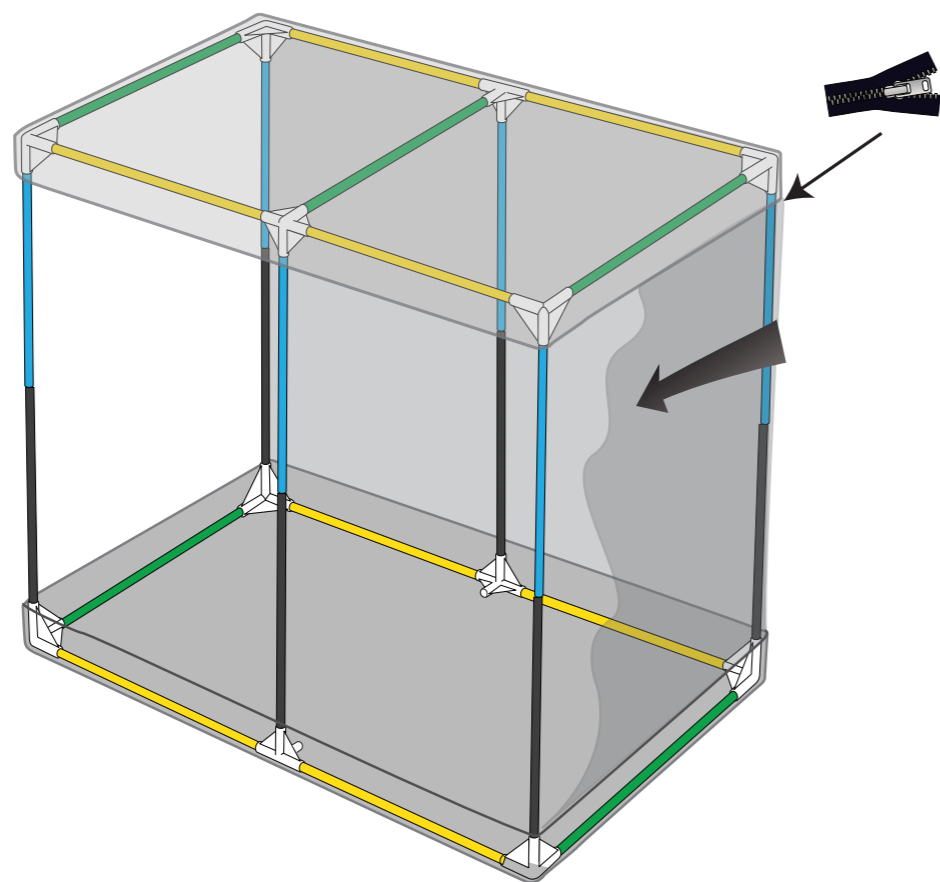


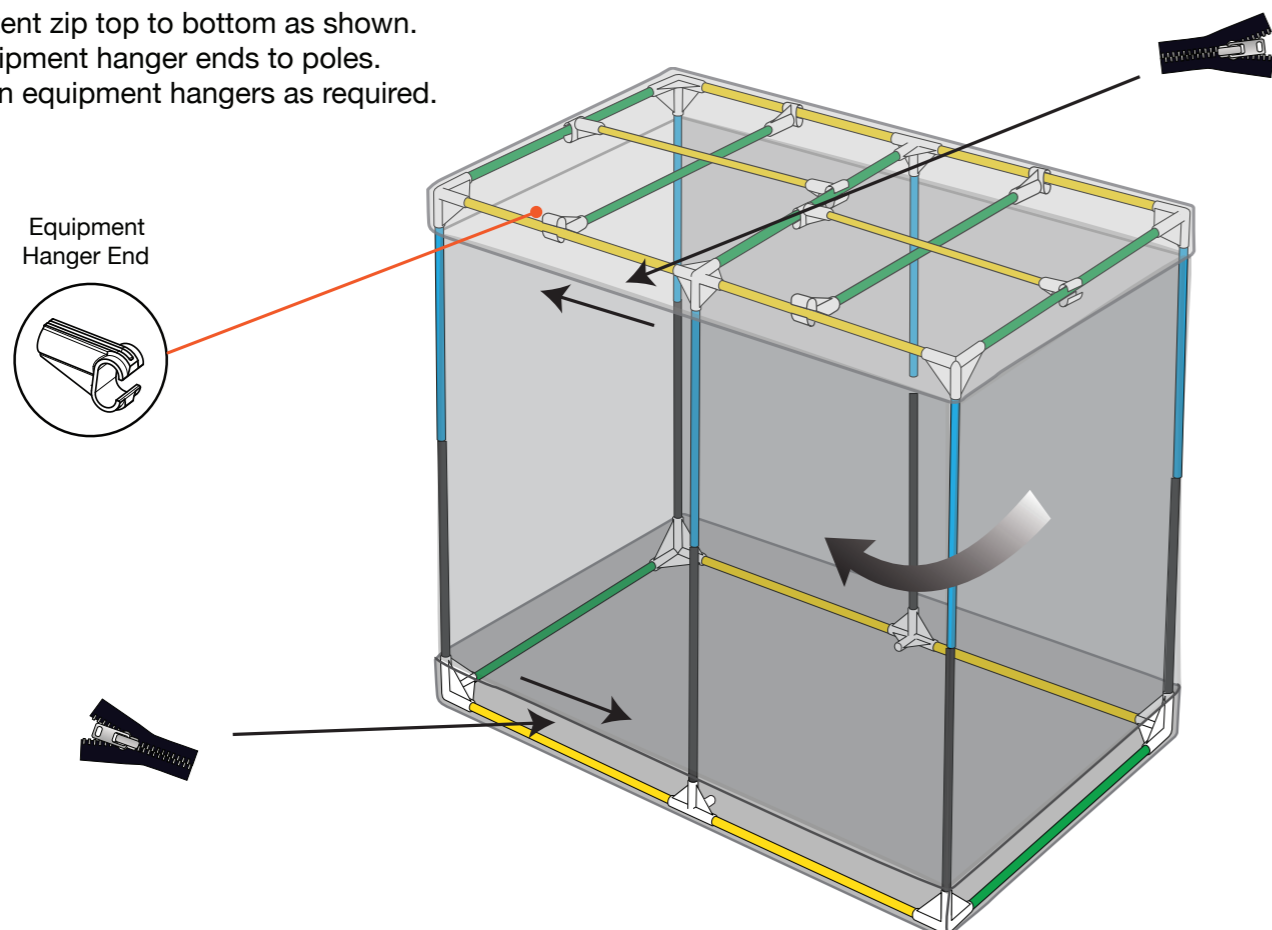
**Step 5**

Close tent zip starting top right as shown.



**Step 6**

Close tent zip top to bottom as shown. Fit equipment hanger ends to poles. Position equipment hangers as required.



**Assembly Instructions**

Two Person Assembly



# Mammoth Classic+ 240L Assembly Guide

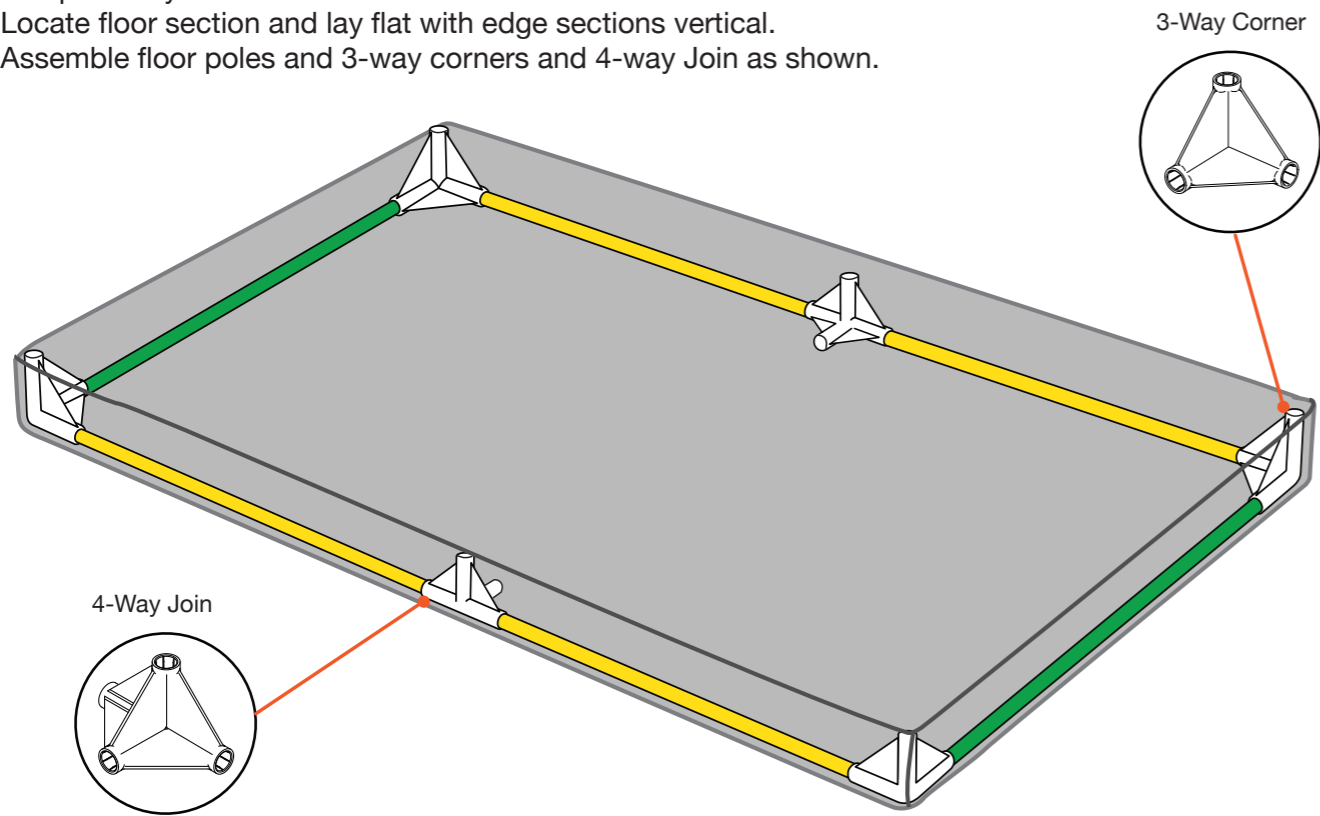


## Parts List

- Yellow Pole x10
- Green Pole x7
- Blue Pole x6
- Black Pole x6
- 3-Way Corner x8
- 4-Way Join x4
- Equipment Hanger Ends x8

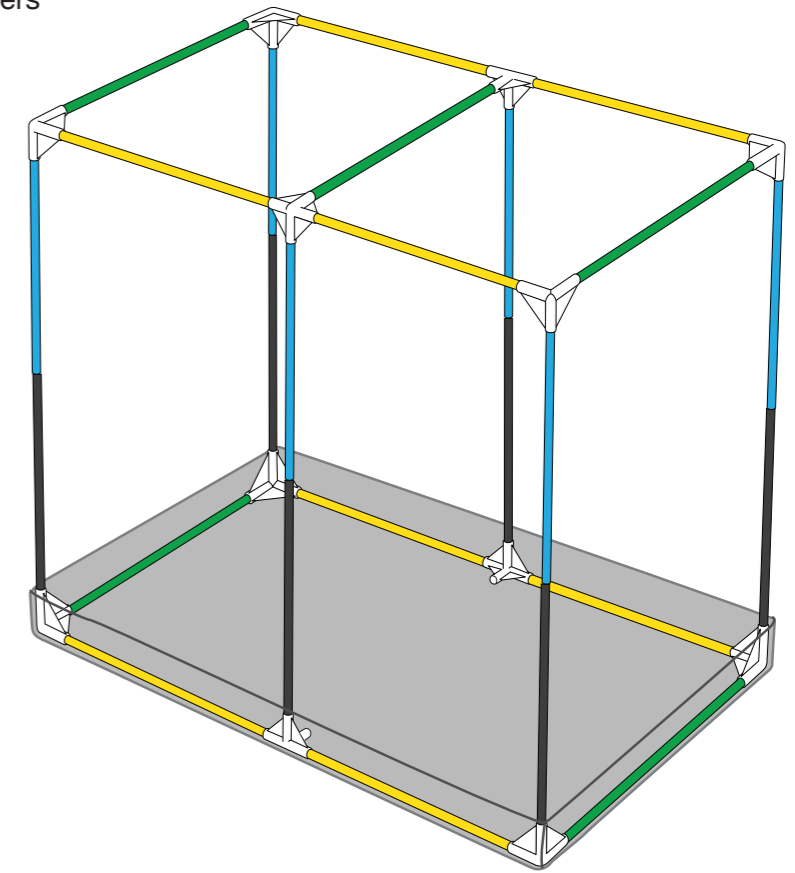
### Step 1

Organise poles and connectors into their colours and groups.  
Unzip and lay out tent.  
Locate floor section and lay flat with edge sections vertical.  
Assemble floor poles and 3-way corners and 4-way Join as shown.



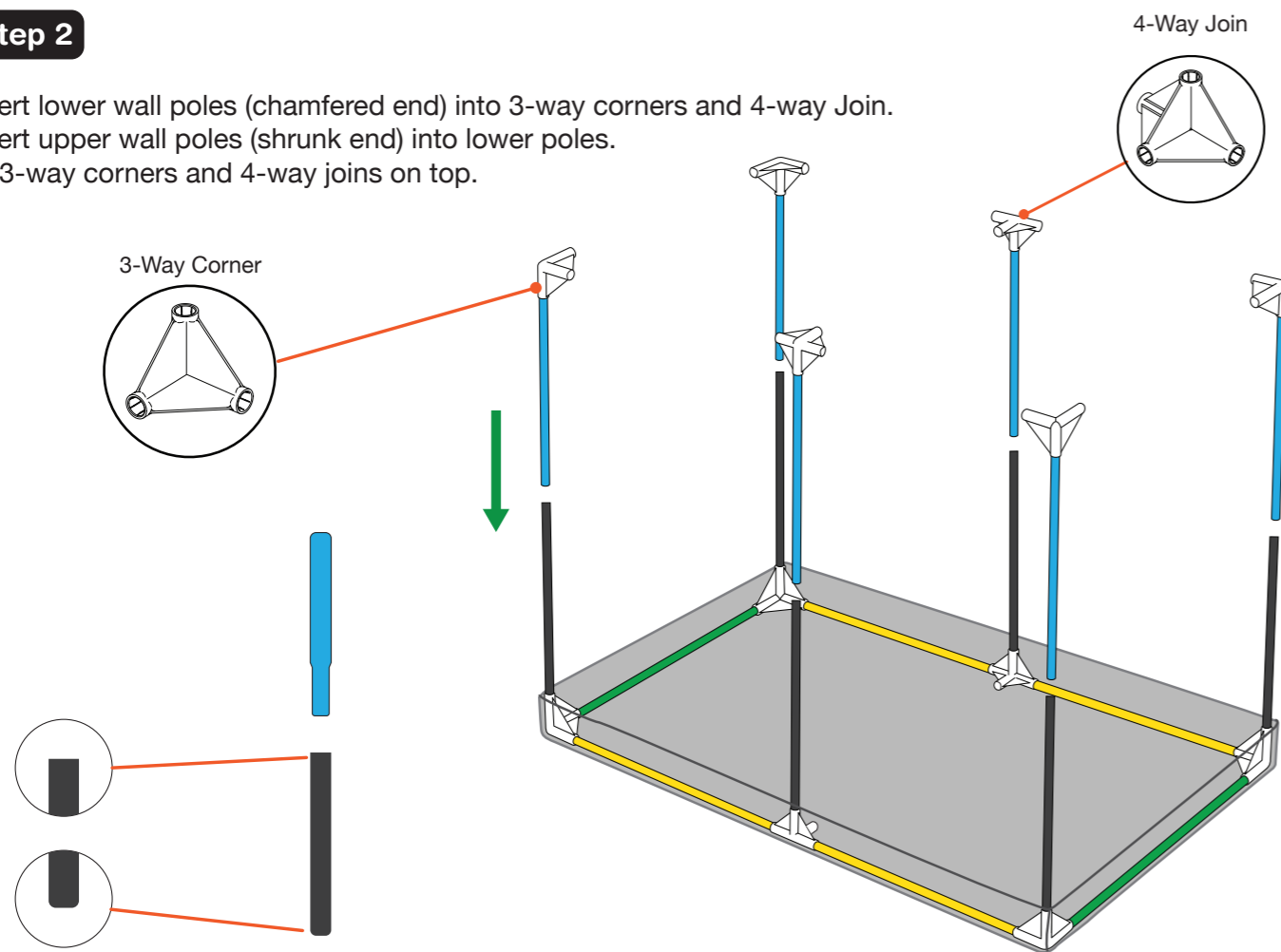
### Step 3

Insert ceiling poles into top 3-way corners and 4-Way joins.



### Step 2

Insert lower wall poles (chamfered end) into 3-way corners and 4-way Join.  
Insert upper wall poles (shrunk end) into lower poles.  
Fit 3-way corners and 4-way joins on top.



### Step 4

Lift tent over roof as shown.

